

RTA SERIES

雙軸單臂凸輪轉台
Zero Backlash Roller Gear Cam
Tilting 2-Axis Rotary Table

- ✓ 零背隙
Zero Backlash
- ✓ 高精度、高效率
High Precision High Efficiency
- ✓ 有預壓、高剛性
Preloaded High Rigidity
- ✓ 耐磨耗
Wear Resistance
- ✓ 熱變位低
Low Thermal Deformation

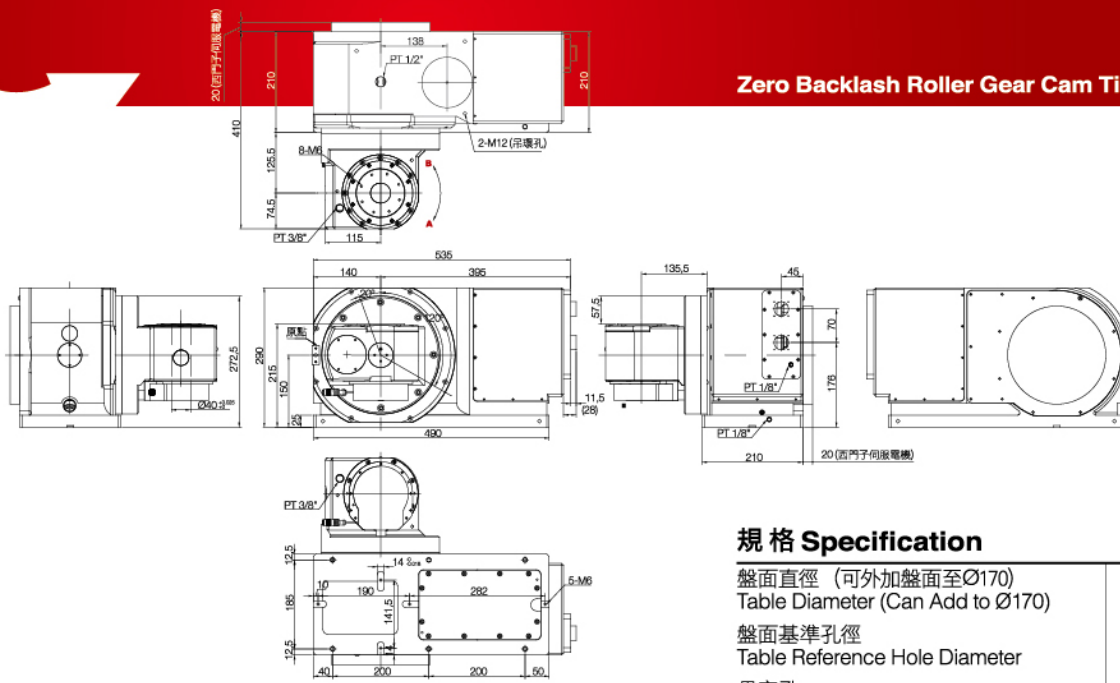
臺灣 **No.1**
TAIWAN
凸輪轉台製造商
CAM ROTARY TABLE MANUFACTURER



TAN TZU[®]
Indexing Drives

潭子精密機械技術合作
TAN TZU PRECISION MACHINERY TECHNICAL COOPERATION





檢驗精度規格表
Specification for Inspection Accuracy **RTA100**

盤面與底面平行度 Parallelism between table surface and frame bottom surface 傾斜角度 Tilting Angle 0°		0.01mm 100mm
--	--	-----------------

盤面旋轉起伏 Runout of table surface 傾斜角度 Tilting Angle 0°		0.01mm
---	--	--------

盤面基準孔旋轉偏擺 Runout of table reference bore 傾斜角度 Tilting Angle 0°		0.01mm
---	--	--------

基準孔的中心高度及誤差 Center height and error of the reference bore 傾斜角度 ① - 90° (ccw) Tilting Angle ② + 90° (cw)		①	-
		②	-
		① - ②	0.02mm

迴轉軸分割定位精度 Rotating Axis Indexing Accuracy (以16分割來回5次測量為基準)		30 sec
--	--	--------

迴轉軸重覆定位精度 Rotating Axis Repeatability Accuracy (依迴轉軸分割定位精度的數值計算)		8 sec
--	--	-------

傾斜軸分割定位精度 Tilting Axis Indexing Accuracy (以20分割來回5次測量為基準)		20 sec
---	--	--------

傾斜軸重覆定位精度 Tilting Axis Repeatability Accuracy (依傾斜軸分割定位精度的數值計算)		4 sec
---	--	-------

規格 Specification

RTA100

盤面直徑 (可外加盤面至Ø170) Table Diameter (Can Add to Ø170)	mm	Ø100
盤面基準孔徑 Table Reference Hole Diameter	mm	Ø40H7
貫穿孔 Through Hole Diameter	mm	Ø40H7
盤面T型溝 Table Width	mm	Ø12H7
基準定位鍵 Base Positioning Key	mm	Ø14H7
盤面高度 (傾斜軸0°) Table Height At 0°	mm	215
中心高度 (傾斜軸90°) Center Height At 90°	mm	150

伺服馬達 Servo Motor		迴轉軸 Rotary Axis	傾斜軸 Tilt Axis
發那科 FANUC		α if 2 β is 4	α if 4+B β is 8+B
三菱 MITSUBISHI		HF-KP43	HF-KP73+B
西門子 SIEMENS		1FK7034	1FK7060+B

迴轉角度 Swing Angle	deg	360	-20~+120
最高轉速 Max. Rotation Speed	rpm	100	75
減速比 Gear Ratio		1/48	1/60
分割定位精度 Indexing Accuracy	arc sec.	30	20
重覆定位精度 Repeatability Accuracy	arc sec.	8	4

淨重 (不含電機) Net. Weight	kg	128
--------------------------	----	-----

最大容許荷重 MAX. Allowable Load on the Table			
立式 Vertical		kg	30
臥式 Horizontal		kg	30

最大容許切削推力(油壓鎖緊狀態) MAX. Allowable Thrust Load on the Table (When clamped)			
容許軸向負荷 Allowable Axial Load		kg	620
最大輸出扭矩 Max. Output Torque		kgf	22
連續輸出扭矩 Continuous Output Torque		kg.m	13
容許彎曲扭矩 Allowable Bending Torque		kg.m	30

最大容許轉動慣量 Max. Allowable Moment of Inertia		kg.m ²	0.1
--	--	-------------------	-----